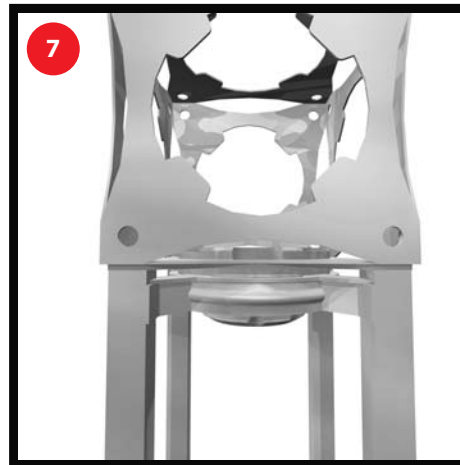
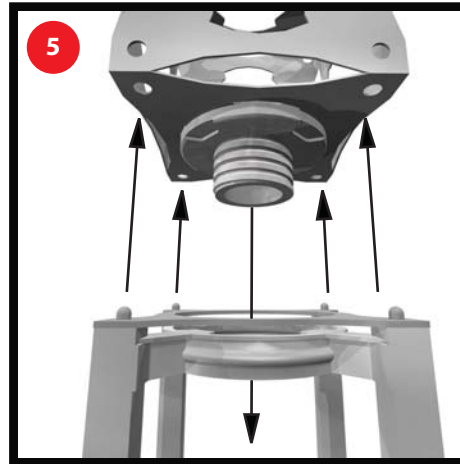
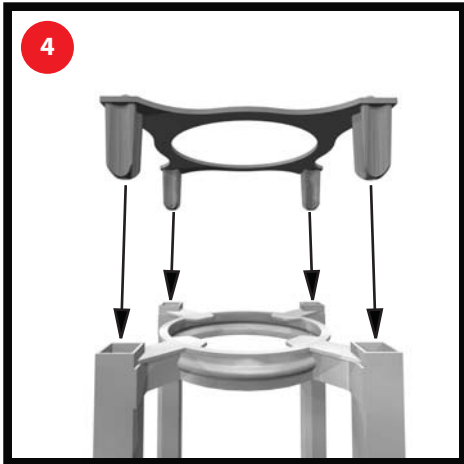
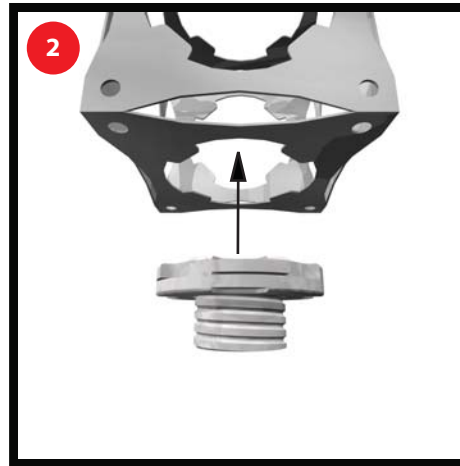


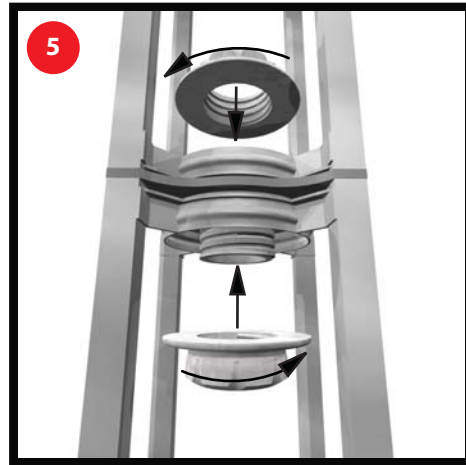
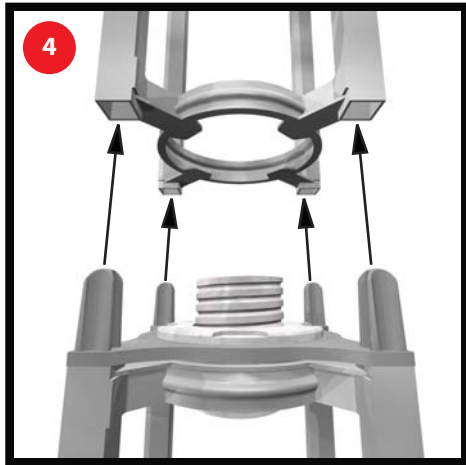
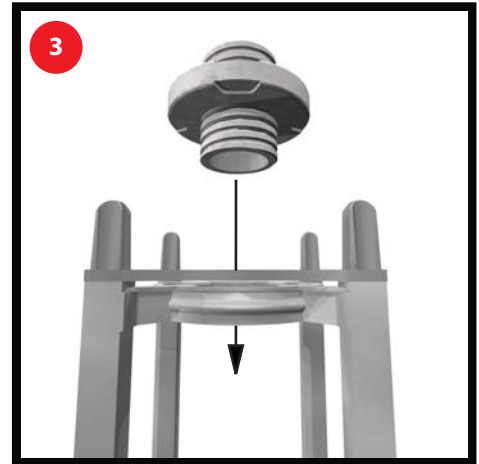
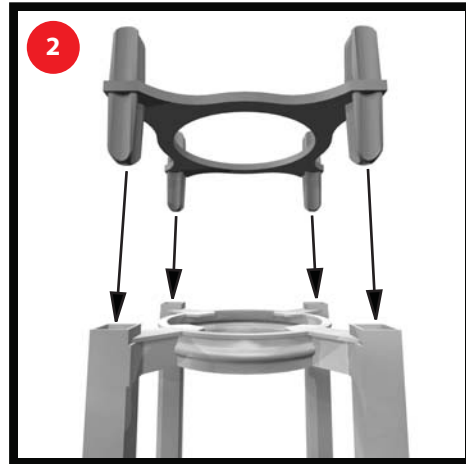


TRUSS TO JUNCTION CONNECTION





TRUSS TO TRUSS CONNECTION





UNIVERSAL CONNECTOR

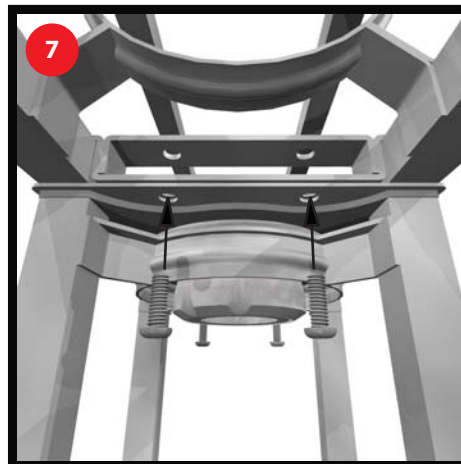
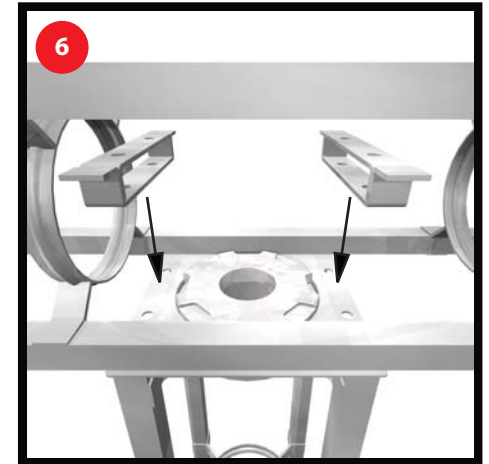
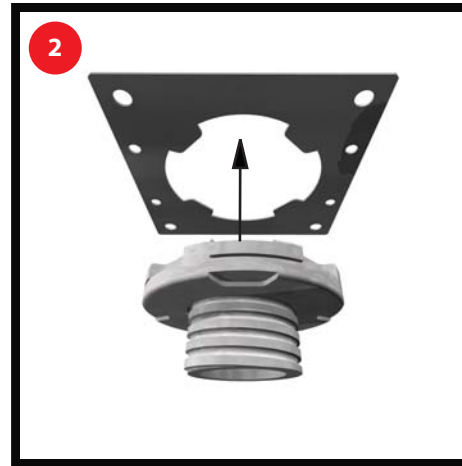




Table Top/ Light Assembly Instructions

Table Top



1 UNSCREW BLACK KNOB/BOLT FROM THE BACK OF THE TABLE TOP.



2 REMOVE BACK PLATE FROM THE UNIT.



3 PLACE BACK PLATE ON THE INSIDE OF THE TRUSS LENGTH IN DESIRED LOCATION. BACK PLATE IS MAGNETIZED FOR EASY APPLICATION...



4 HOLD TABLE TOP FRONT PLATE PARALLEL TO BACK PLATE.

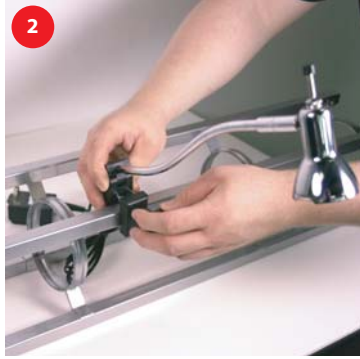
Light



5 FINISH BY SCREWING THE BLACK KNOB/BOLT BACK INTO PLACE AND TIGHTENING.



1 UNSCREW CLAMP AT BOTTOM OF LIGHT WIDE ENOUGH TO FIT ON TRUSS LENGTH.



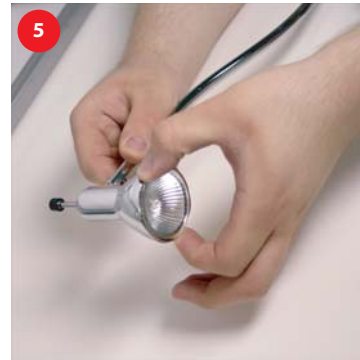
2 PLACE LIGHT IN DESIRED SPOT ON TRUSS AND FASTEN TO TRUSS LENGTH.



3 TRANSFORMER SHOULD ALREADY BE ATTACHED, IF NOT SIMPLY PLUG CORD INTO TRANSFORMER (MAKE SURE TRANSFORMER IS NOT PLUGGED IN).



4 THERE IS A ROLL SWITCH IN THE MIDDLE OF THE CORD TO TURN LIGHT ON AND OFF.



5 TO REMOVE LIGHT BULB, HOLD BULB FROM SIDES WITH FINGERTIPS AND PULL OUT. (WARNING: ALLOW LIGHT TO COOL OF BEFORE ATTEMPTING TO CHANGE BULB OR PACK AWAY).



6 TO REPLACE LIGHT BULB, HOLD BULB FROM SIDES WITH FINGERTIPS. LINE UP THE 2 METAL PRONGS ON THE BULB WITH HOLES IN SOCKET AND FIRMLY PUSH INTO PLACE.



Literature Rack/ Shelf or Straight Assembly Instructions



Literature Rack



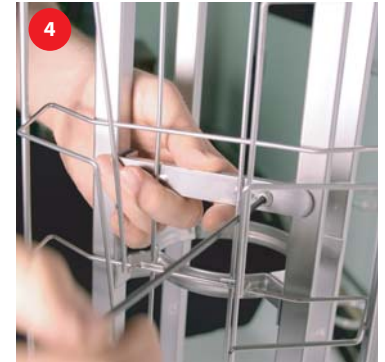
1 LOOSEN 1 SCREW HOLDING THE TOP BACK PLATE ON. REMOVE OTHER SCREW FROM THE UNIT AND LET BACK PLATE HANG DOWN. DO THE SAME FOR THE BOTTOM BACK PLATE.



2 PLACE ON DESIRED SECTIONS OF TRUSS LENGTH. SWING BACK PLATE LINING UP WELD-NUT AND HOLE ON LITERATURE RACK PLATE. MAKE SURE TRUSS IS BETWEEN THE BACK PLATE AND THE LITERATURE PLATE.



3 FASTEN SCREW BACK ON TOP LITERATURE RACK PLATE AND BACK PLATE, THEN TIGHTEN THE LOOSENED SCREW.



4 REPEAT STEP 2 AND 3 WITH THE BOTTOM PLATE.

Internal Shelf



1 HOLD SHELF IN DESIRED LOCATION



2 LINE UP SHELF BRACKET HOLE UP WITH THE HOLE ON SIDE OF THE SHELF



3 FINGER TIGHTEN SCREW INTO SHELF BRACKET AND SHELF



4 FINISH TIGHTENING SCREW WITH T-TOOL REPEAT STEPS 2 AND 3 FOR OTHER SIDE OF SHELF